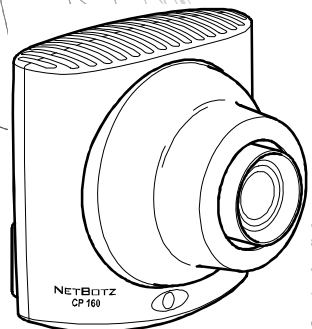




Installation Manual

NetBotz[®] Camera Pod 160

NBPD0160





This manual is available in English on the enclosed CD.

Dieses Handbuch ist in Deutsch auf der beiliegenden CD-ROM verfügbar.

Este manual está disponible en español en el CD-ROM adjunto.

Ce manuel est disponible en français sur le CD-ROM ci-inclus.

Questo manuale è disponibile in italiano nel CD-ROM allegato.

本マニュアルの日本語版は同梱の CD-ROM からご覧になれます。

Instrukcja obsługi w języku polskim jest dostępna na CD.

O manual em Português está disponível no CD-ROM em anexo.

Данное руководство на русском языке имеется на прилагаемом компакт-диске.

您可以从包含的 CD 上获得本手册的中文版本。

동봉된 CD 안에 한국어 매뉴얼이 있습니다 .

Contents

Introduction	1
Product description	1
Document overview	3
Additional documentation	3
Additional options	3
InfraStruXure-certified	3
Physical Description	4
Inventory	5
Install the NetBotz 160	7
Electrical box	7
Wall	7
Ceiling	8
Enclosure	9
Connect Optional Devices	9
Adjust the Lens	10
Clean the NetBotz 160	10
Specifications	11
Two-Year Factory Warranty	12
Terms of warranty	12
Non-transferable warranty	12
Exclusions	12
Warranty claims	13
Radio Frequency Interference	15
USA—FCC	15
Canada—ICES	15
Japan—VCCI	15
Taiwan—BSMI	15
Australia and New Zealand	16
European Union	16

Introduction

Product description

The American Power Conversion (APC®) NetBotz® Camera Pod 160 is a motion-sensitive camera capable of sending image data through a USB connection to a Rack Monitor 450, Rack Monitor 550, or Room Monitor 455. The NetBotz 160 can be triggered remotely by the appliance in response to a number of environmental alarms or events, such as a temperature spike or the action of opening a door. The NetBotz 160 can also provide constant surveillance of an area or entrance.

The NetBotz 160 includes the following features:

- Image processor that generates images up to 1280 x 1024 resolution, 24-bit color, and up to 30 frames per second.



Note: The maximum frame rate describes the maximum number of images that the camera imager is capable of producing each second. The actual frame rate is dependent on the amount of available bandwidth and current resolution.

- Image Size: 7.7 mm x 6.1 mm (9.82 mm diagonal = 0.387 in).
- Field of View: 64° (H) x 53° (V) for all resolutions.
- User adjustable and switchable industry-standard CS-mount lens. CS-mount permits access to hundreds of different general purpose and special purpose lenses.
- Microphone jack (standard 3.5-mm miniplug), which provides the ability to monitor and capture monophonic audio from the location in which the NetBotz 160 is installed.
- Speaker/headphone jack (standard 3.5-mm stereo miniplug) that can be used with unpowered headphones or powered speakers to provide monophonic audio output.
- An optional door switch sensor (NBES0302 or NBES0303) can be used to trigger image capture when someone opens a monitored entryway or other door, such as a cabinet or closet.

The imager of the NetBotz 160 supports two imaging modes: **Wide Screen** mode and **Pan and Scan** mode.

- In **Wide Screen** mode, all images that are captured are based on the entire 1280 x 1024 frame. The NetBotz 160 then reduces the total 1280 x 1024 frame to the appropriate resolution or mode, resulting in a smaller image that includes the entire field of view supported by the NetBotz 160. However, in reducing the image to smaller sizes some image detail will be lost.
- In **Pan and Scan** mode, a portion of the total 1280 x 1024 field of view supported by the NetBotz 160 is selected as the window of interest within the frame. This selected window is then used to determine what portion of the total field of view to include in image captures and in the Camera view when resolutions lower than 1280 x 1024 are needed. 1280 x 1024 images still contain the entire field of view, but lower image resolution modes use only a portion of the frame, determined by a user-specified 640 x 480 window of interest.

Attention: THE EQUIPMENT CONTAINS, AND THE SOFTWARE ENABLES, VISUAL RECORDING CAPABILITIES, THE IMPROPER USE OF WHICH MAY SUBJECT YOU TO CIVIL AND CRIMINAL PENALTIES. APPLICABLE LAWS REGARDING THE USE OF SUCH CAPABILITIES VARY BETWEEN JURISDICTIONS AND MAY REQUIRE AMONG OTHER THINGS EXPRESS WRITTEN CONSENT FROM RECORDED SUBJECTS. YOU ARE SOLELY RESPONSIBLE FOR INSURING STRICT COMPLIANCE WITH SUCH LAWS AND FOR STRICT ADHERENCE TO ANY/ALL RIGHTS OF PRIVACY AND PERSONALTY. USE OF THIS SOFTWARE FOR ILLEGAL SURVEILLANCE OR MONITORING SHALL BE DEEMED UNAUTHORIZED USE IN VIOLATION OF THE END USER SOFTWARE AGREEMENT AND RESULT IN THE IMMEDIATE TERMINATION OF YOUR LICENSE RIGHTS THEREUNDER.

Document overview

The *NetBotz Camera Pod 160 Installation Manual* describes how to install the NetBotz 160. For details on connecting the NetBotz 160 to your appliance, see the installation and quick configuration manual included with your appliance.

Additional documentation

Unless otherwise noted, the following documentation is available on the CD provided with the device or on the applicable product page on the APC Web site, www.apc.com. To quickly find a product page, enter the product name or part number in the Search field.

NetBotz Appliance User's Guide – Includes all details for using, managing, and configuring a NetBotz system with one of the following appliances: NetBotz Room Monitor 355 (NBWL0355, NBWL0356), NetBotz Rack Monitor 450 (NBRK0450), NetBotz Room Monitor 455 (NBWL0455, NBWL0456), or NetBotz Rack Monitor 550 (NBRK0550).

Additional options

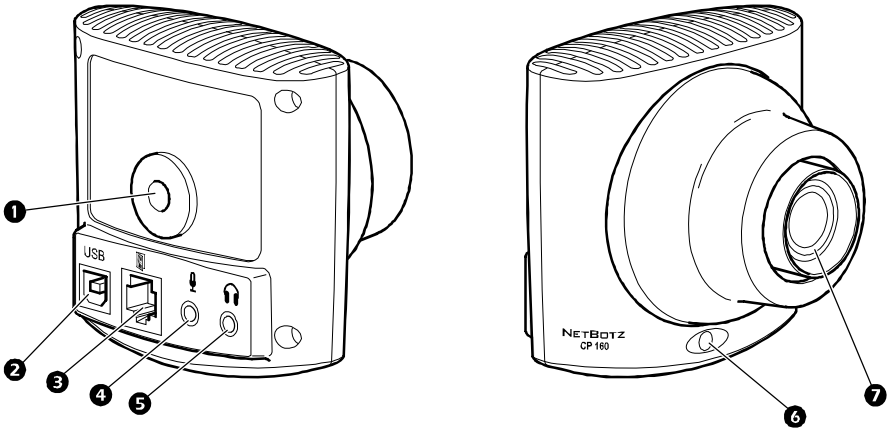
The following options are available for the NetBotz 160. For more information about any of the options, contact your APC representative or the distributor from whom you purchased your APC product.

- Door Switch Sensor for APC Racks (NBES0303)
- Door Switch Sensor for Rooms of Third-Party Racks (NBES0302)

InfraStruXure-certified

This product is certified for use in APC InfraStruXure[®] systems.

Physical Description



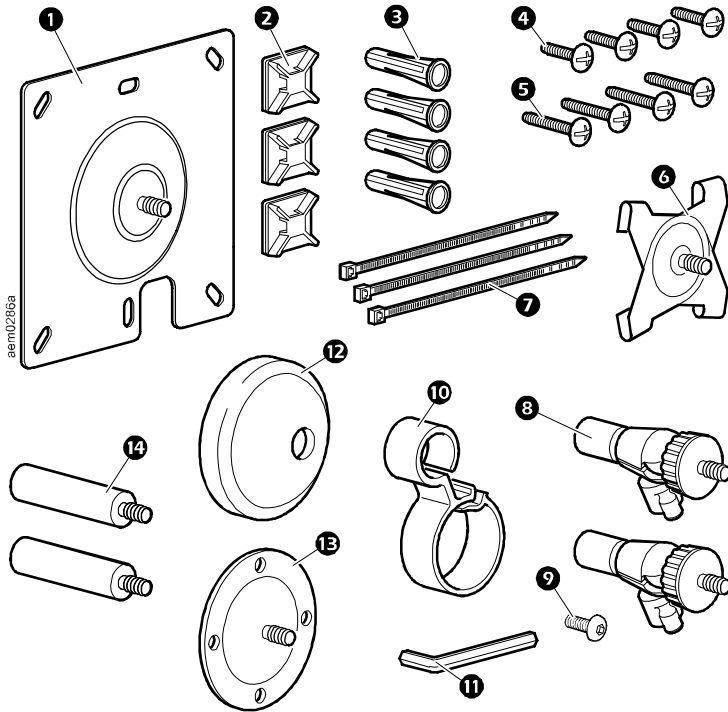
	Item	Description
1	Wall mount	Used to attach the wall mounting swivel arm.
2	USB Type B	Used to connect the NetBotz 160 to a NetBotz appliance with a standard USB cable.
3	Door switch sensor port	RJ-45 port used to connect a door switch sensor.
4	Microphone jack	3.5-mm stereo miniplug jack used to connect an external microphone. Maximum length of microphone cable: 3 m (9.8 ft).
5	Speaker jack	3.5-mm stereo miniplug jack used to connect headphones or powered speakers. Maximum length of speaker cable: 3 m (9.8 ft).
6	Activity LED	When the NetBotz 160 is receiving power this LED blinks slowly and steadily (one second on, one second off), indicating that the Camera Pod 160 is currently active, and capturing video images, but is not recording audio. When the NetBotz 160 is capturing and recording audio, using an external microphone connected to the External Microphone jack, this LED blinks 5 times per second to indicate that audio recording is in progress.
7	Lens housing	This housing can be removed to change the focus of the integrated camera.

Inventory

Inspect the contents of the package to ensure that the parts included match those shown below. Report missing or damaged contents to APC or your APC reseller. However, if damage was due to shipping, immediately report the damage to the shipping agent.



The shipping and packaging materials are recyclable. Please save them for later use or dispose of them appropriately.



Item	Description
	NetBotz Camera Pod 160—not shown
1	Bracket mounting plate for electrical boxes
2	Adhesive cable tie holders
3	Mounting screw wall anchors
4	13-mm (0.5-in) machine screws (for electrical box)
5	19-mm (0.75-in) sheet metal screws (for wall or enclosure)
6	T-bar mounting plate

Item	Description
7	203-mm (8-in) wire ties
8	Ball-joint adjuster arm
9	Extender arm set screw
10	Cable retainer
11	Allen wrench
12	Rubber bracket cover
13	Mounting plate
14	Extender arms
	5-m (16.4-ft) USB cable—not shown

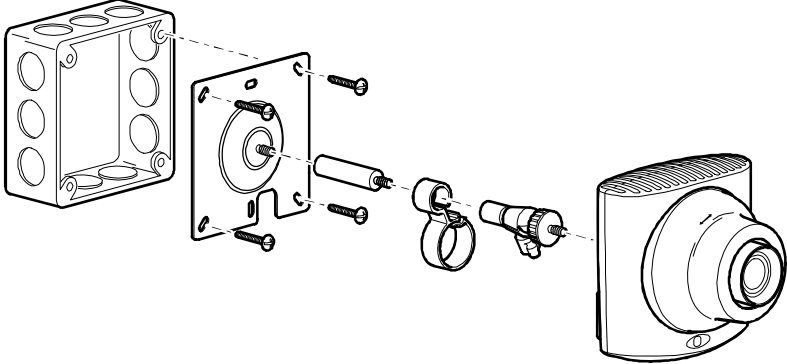
Install the NetBotz 160

Choose an installation option that meets your needs. Once installed, use the 5-m (16.4-ft) USB cable to connect the NetBotz 160 to your NetBotz Rack Monitor 450, NetBotz Rack Monitor 550, or NetBotz Room Monitor 455.



Note: Mounting the NetBotz 160 inside a rack requires the Rack Mounting Kit (NBES0302).

Electrical box



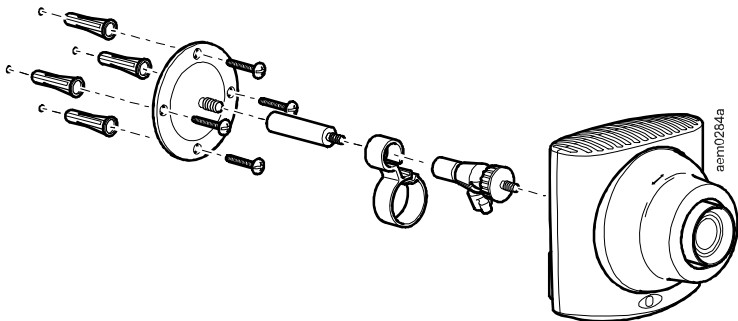
Wall



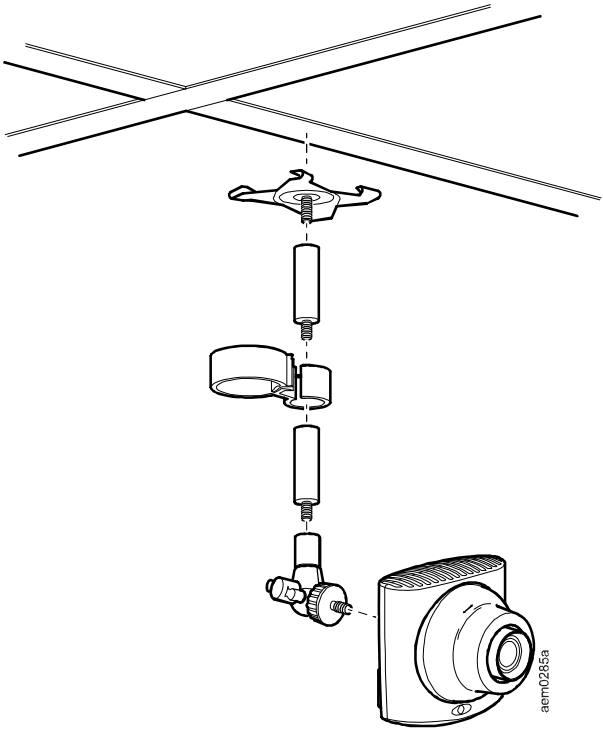
Note: Drill 4.76-mm (3/16-in) pilot holes for wall anchors.



Caution: Do not overtighten the screws.



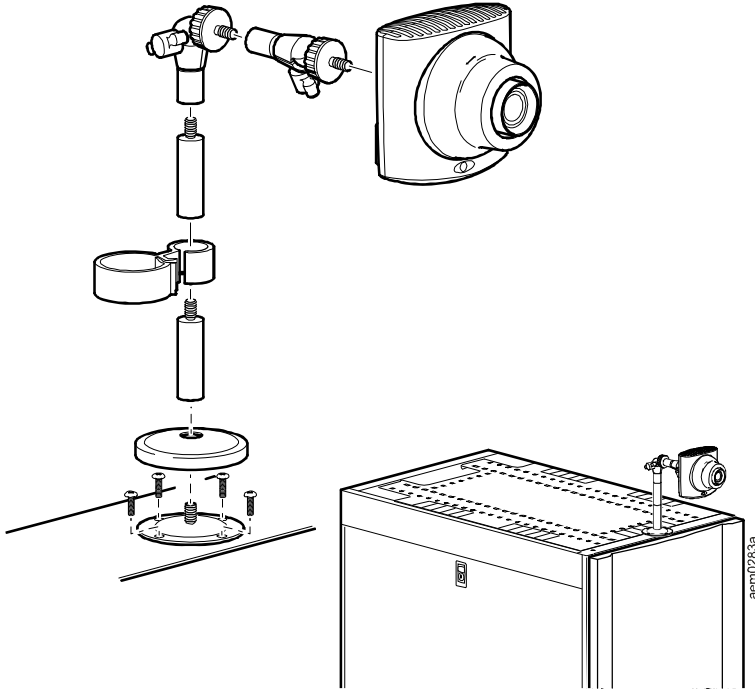
Ceiling



Enclosure



Note: Use a #32 drill to make four 2.94-mm (0.116-in) pilot holes.



Connect Optional Devices

As applicable, install the options listed below, then connect them to the back of the NetBotz 160.

- Door Switch Sensor for APC Racks (NBES0303) or Door Switch Sensor for Rooms of Third-Party Racks (NBES0302)
- External microphone
- Set of speakers



Note: If the cable of a Door Switch Sensor for APC Racks is not long enough, use an RJ-45 coupling provided with the sensor to extend the cable up to 15 m (50 ft).

Adjust the Lens

View the camera feed during the adjustment of the camera in order to correctly adjust the focus of the feed and field of view settings.

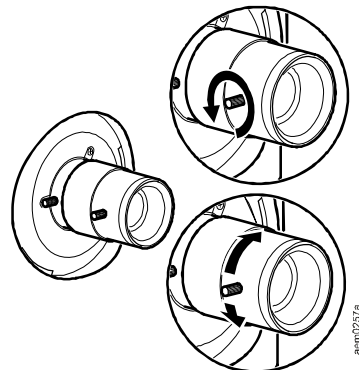
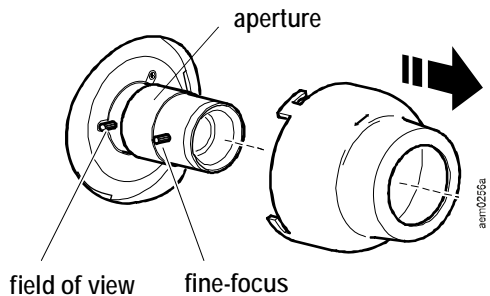
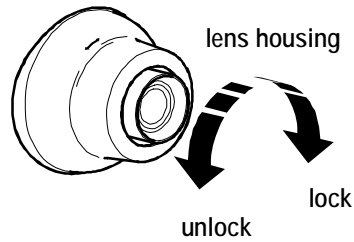
To access the adjustment screws, remove the lens housing by turning the lens housing counter-clockwise until the latches disengage.

To reattach the lens housing, engage the latches and rotate the housing clockwise until a click is heard.

To adjust the aperture of the lens, rotate the aperture ring clockwise to increase the aperture or counter-clockwise to reduce the aperture.

To adjust the focus and field of view settings:

1. Loosen the adjustment screw by turning it counter-clockwise.
2. Rotate the lens rings to the desired position.
3. Tighten the adjustment screw by turning it clockwise.



Clean the NetBotz 160

To clean the device, gently wipe surfaces with a clean, dry cloth.

Specifications

Electrical

Input voltage, nominal	5 VDC
Maximum power consumption	2 W

Physical

Dimensions (H x W x D)	102 x 100 x 78 mm (4.00 x 3.93 x 3.09 in)
Weight	0.2 kg (0.4 lb)
Shipping weight	1.4 kg (3.00 lb)
Shipping dimensions (H x W x D)	260 x 286 x 165 mm (10.25 x 11.25 x 6.50 in)

Environmental

Elevation (above MSL)	
Operating	0 to 3000 m (0 to 10,000 ft)
Storage	0 to 15 000 m (0 to 50,000 ft)
Temperature	
Operating	0 to 45°C (32 to 113°F)
Storage	-15 to 65°C (5 to 149°F)
Relative Humidity	
Operating	10 to 90%, non-condensing
Storage	10 to 90%, non-condensing

Compliance

Immunity/Emissions	CE, FCC Part 15 Class A, ICES-003 Class A, VCCI Class A, EN 55022 Class A, EN 55024, AS/NZS CISPR 22
--------------------	--

Two-Year Factory Warranty

This warranty applies only to the products you purchase for your use in accordance with this manual.

Terms of warranty

APC warrants its products to be free from defects in materials and workmanship for a period of two years from the date of purchase. APC will repair or replace defective products covered by this warranty. This warranty does not apply to equipment that has been damaged by accident, negligence or misapplication or has been altered or modified in any way. Repair or replacement of a defective product or part thereof does not extend the original warranty period. Any parts furnished under this warranty may be new or factory-remanufactured.

Non-transferable warranty

This warranty extends only to the original purchaser who must have properly registered the product. The product may be registered at the APC Web site, www.apc.com.

Exclusions

APC shall not be liable under the warranty if its testing and examination disclose that the alleged defect in the product does not exist or was caused by end user's or any third person's misuse, negligence, improper installation or testing. Further, APC shall not be liable under the warranty for unauthorized attempts to repair or modify wrong or inadequate electrical voltage or connection, inappropriate on-site operation conditions, corrosive atmosphere, repair, installation, exposure to the elements, Acts of God, fire, theft, or installation contrary to APC recommendations or specifications or in any event if the APC serial number has been altered, defaced, or removed, or any other cause beyond the range of the intended use.

THERE ARE NO WARRANTIES, EXPRESS OR IMPLIED, BY OPERATION OF LAW OR OTHERWISE, OF PRODUCTS SOLD, SERVICED OR FURNISHED UNDER THIS AGREEMENT OR IN CONNECTION HEREWITH. APC DISCLAIMS ALL IMPLIED WARRANTIES OF MERCHANTABILITY, SATISFACTION AND FITNESS FOR A PARTICULAR PURPOSE. APC EXPRESS WARRANTIES WILL NOT BE ENLARGED, DIMINISHED, OR AFFECTED BY AND NO OBLIGATION OR LIABILITY WILL ARISE OUT OF, APC RENDERING OF TECHNICAL OR OTHER ADVICE OR SERVICE IN CONNECTION WITH THE PRODUCTS. THE FOREGOING WARRANTIES AND REMEDIES ARE EXCLUSIVE

AND IN LIEU OF ALL OTHER WARRANTIES AND REMEDIES. THE WARRANTIES SET FORTH ABOVE CONSTITUTE APC'S SOLE LIABILITY AND PURCHASER'S EXCLUSIVE REMEDY FOR ANY BREACH OF SUCH WARRANTIES. APC WARRANTIES EXTEND ONLY TO PURCHASER AND ARE NOT EXTENDED TO ANY THIRD PARTIES.

IN NO EVENT SHALL APC, ITS OFFICERS, DIRECTORS, AFFILIATES OR EMPLOYEES BE LIABLE FOR ANY FORM OF INDIRECT, SPECIAL, CONSEQUENTIAL OR PUNITIVE DAMAGES, ARISING OUT OF THE USE, SERVICE OR INSTALLATION, OF THE PRODUCTS, WHETHER SUCH DAMAGES ARISE IN CONTRACT OR TORT, IRRESPECTIVE OF FAULT, NEGLIGENCE OR STRICT LIABILITY OR WHETHER APC HAS BEEN ADVISED IN ADVANCE OF THE POSSIBILITY OF SUCH DAMAGES. SPECIFICALLY, APC IS NOT LIABLE FOR ANY COSTS, SUCH AS LOST PROFITS OR REVENUE, LOSS OF EQUIPMENT, LOSS OF USE OF EQUIPMENT, LOSS OF SOFTWARE, LOSS OF DATA, COSTS OF SUBSTITUENTS, CLAIMS BY THIRD PARTIES, OR OTHERWISE.

NO SALESMAN, EMPLOYEE OR AGENT OF APC IS AUTHORIZED TO ADD TO OR VARY THE TERMS OF THIS WARRANTY. WARRANTY TERMS MAY BE MODIFIED, IF AT ALL, ONLY IN WRITING SIGNED BY AN APC OFFICER AND LEGAL DEPARTMENT.

Warranty claims

Customers with warranty claims issues may access the APC customer support network through the Support page of the APC Web site, www.apc.com/support. Select your country from the country selection pull-down menu at the top of the Web page. Select the Support tab to obtain contact information for customer support in your region.

Radio Frequency Interference



Changes or modifications to this unit not expressly approved by the party responsible for compliance could void the user's authority to operate this equipment.

USA—FCC

This equipment has been tested and found to comply with the limits for a Class A digital device, pursuant to part 15 of the FCC Rules. These limits are designed to provide reasonable protection against harmful interference when the equipment is operated in a commercial environment. This equipment generates, uses, and can radiate radio frequency energy and, if not installed and used in accordance with this user manual, may cause harmful interference to radio communications. Operation of this equipment in a residential area is likely to cause harmful interference. The user will bear sole responsibility for correcting such interference.

After an electrostatic discharge (ESD) event, the appliance may require up to 2 minutes to restart services that are necessary for normal operation. During this time, the Web interface of the appliance will be unavailable. If any necessary services or devices external to the appliance, such as a DHCP server, were affected by the ESD event, these devices also need to restart properly.

Canada—ICES

This Class A digital apparatus complies with Canadian ICES-003.

Cet appareil numérique de la classe A est conforme à la norme NMB-003 du Canada.

Japan—VCCI

This is a Class A product based on the standard of the Voluntary Control Council for Interference by Information Technology Equipment (VCCI). If this equipment is used in a domestic environment, radio disturbance may occur, in which case, the user may be required to take corrective actions.

この装置は、情報処理装置等電波障害自主規制協議会（VCCI）の基準に基づくクラス A 情報技術装置です。この装置を家庭環境で使用すると、電波妨害を引き起こすことがあります。この場合には、使用者が適切な対策を講ずるよう要求されることがあります。

Taiwan—BSMI

警告使用者：

這是甲類的資訊產品，在居住的環境中使用時，可能會造成射頻干擾，在這種情況下，使用者會被要求採取某些適當的對策。

Australia and New Zealand

Attention: This is a Class A product. In a domestic environment this product may cause radio interference in which case the user may be required to take adequate measures.

European Union

This product is in conformity with the protection requirements of EU Council Directive 2004/108/EC on the approximation of the laws of the Member States relating to electromagnetic compatibility. APC cannot accept responsibility for any failure to satisfy the protection requirements resulting from an unapproved modification of the product.

This product has been tested and found to comply with the limits for Class A Information Technology Equipment according to CISPR 22/European Standard EN 55022. The limits for Class A equipment were derived for commercial and industrial environments to provide a reasonable protection against interference with licensed communication equipment.

Attention: This is a Class A product. In a domestic environment this product may cause radio interference in which case the user may be required to take adequate measures.

APC Worldwide Customer Support

Customer support for this or any other APC product is available at no charge in any of the following ways:

- Visit the APC Web site to access documents in the APC Knowledge Base and to submit customer support requests.
 - **www.apc.com** (Corporate Headquarters)
Connect to localized APC Web sites for specific countries, each of which provides customer support information.
 - **www.apc.com/support/**
Global support searching APC Knowledge Base and using e-support.
- Contact the APC Customer Support Center by telephone or e-mail.
 - Local, country-specific centers: go to **www.apc.com/support/contact** for contact information.

For information on how to obtain local customer support, contact the APC representative or other distributors from whom you purchased your APC product.

Entire contents copyright 2008 American Power Conversion Corporation. All rights reserved.

Reproduction in whole or in part without permission is prohibited. APC, the APC logo, NetBotz, and InfraStruXure are trademarks of American Power Conversion Corporation. All other trademarks, product names, and corporate names are the property of their respective owners and are used for informational purposes only.



990-3290A-001



9/2008